



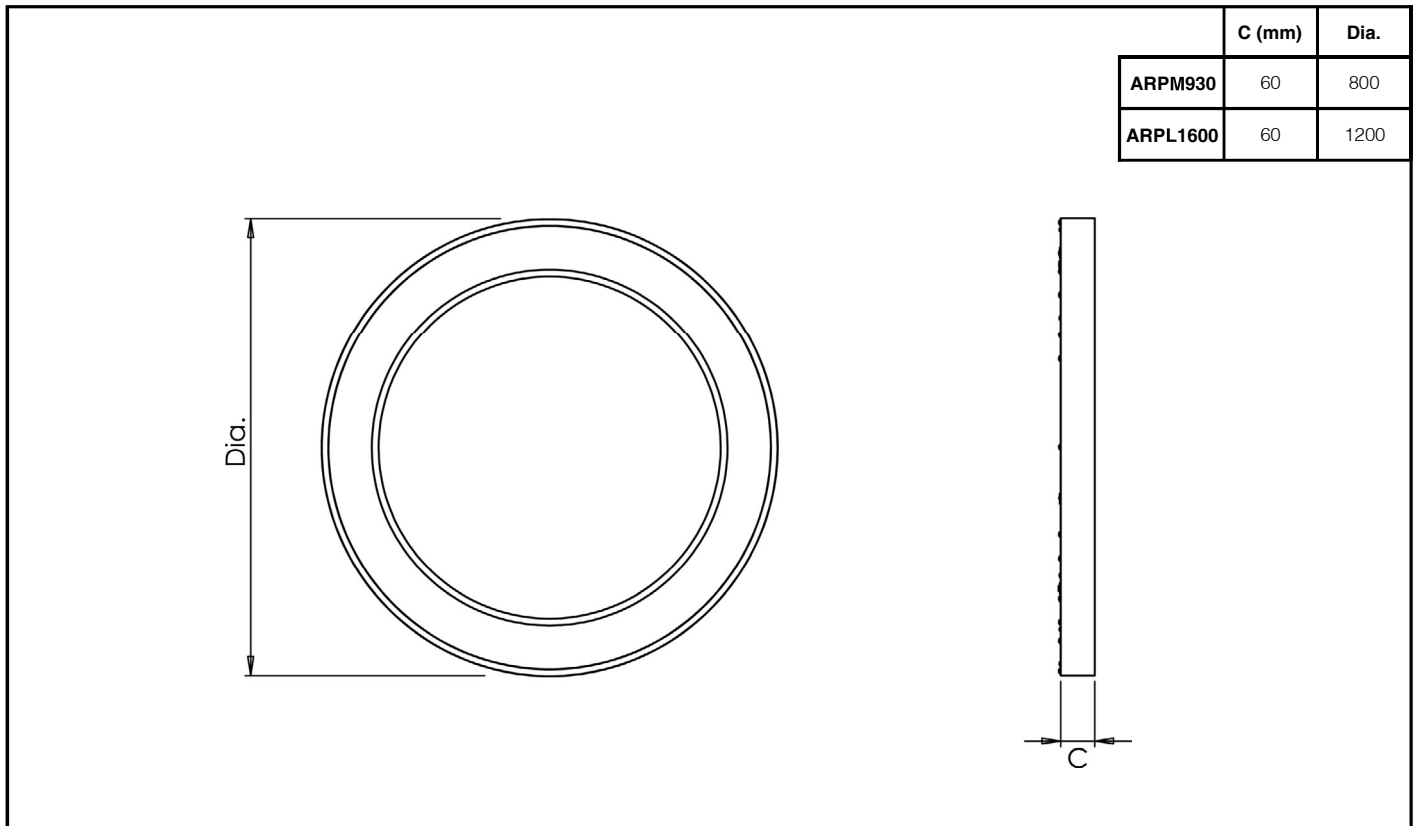
**Product Name: AIR**

## General information

- This luminaire must be installed in accordance with the latest edition of the IET Wiring Regulations and local Building Regulation by a qualified competent person.
- The mains power supply must be turned off before inspection, installation or removal of the luminaire, ensuring that the supply is locked off to prevent inadvertently switching the supply on.
- It is the installer's responsibility to ensure that the installation is suitable for the total load of the luminaire(s). The supply cable fuses/circuit breakers must be correctly rated for the electrical load and taking into account for any transient inrush currents that may occur.
- It is the installer's responsibility to ensure that the environmental operating and storage conditions are complied with and that any fire risks are considered.
- Do not perform insulation strength or insulation resistance tests on the installation with the luminaire(s) connected, this can damage the luminaires and give erroneous readings.
- Do not loop-in supply cables at the luminaire supply terminals unless there is provision for 2-way connection at the terminals.
- The light source contained in this luminaire must only be replaced by Tamlite Lighting or an appointed service agent.
- Emergency lighting luminaires must be installed and maintained in accordance with the emergency lighting standard BS 5266-1.
- To ensure that the product warranty remains valid, the luminaire must be installed and maintained in accordance with these installation instructions and the product must not be modified in any way.

-  Luminaires marked with this symbol must not be covered with thermally insulating material.
-  This symbol on covers over light sources indicates dangerous live parts do not operate the luminaire with this cover removed.

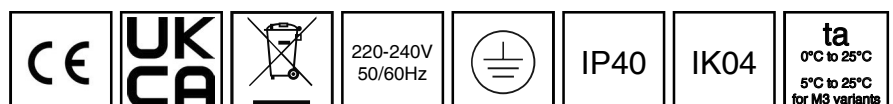
## Dimensions



**Page 1 of 3**

Tamlite Technical  
 Stafford Park 12,  
 Telford, Shropshire,  
 TF3 3BJ

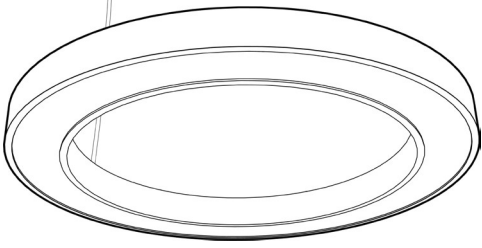
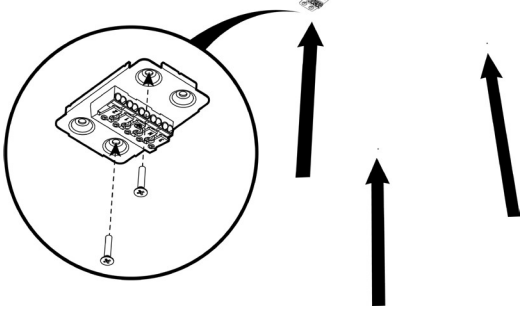
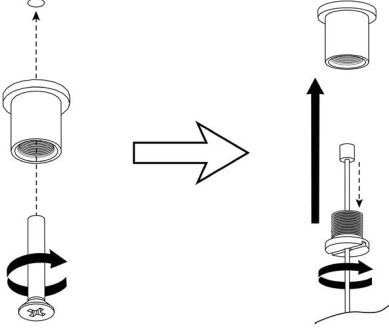
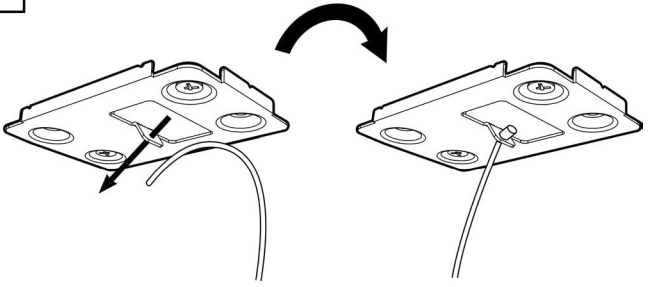
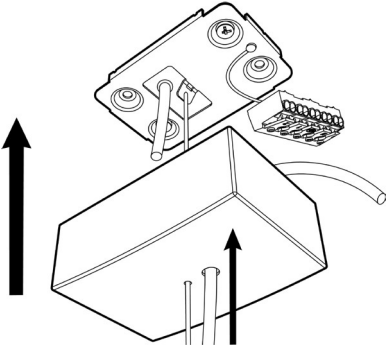
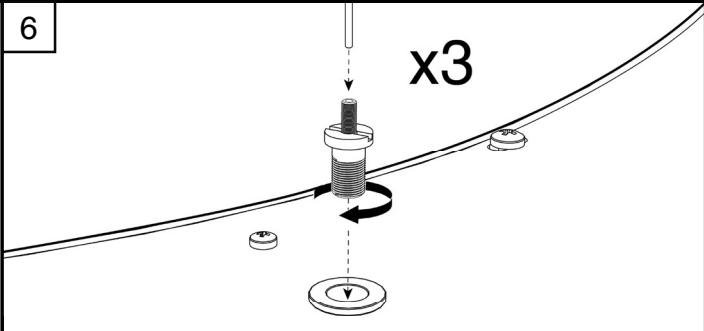
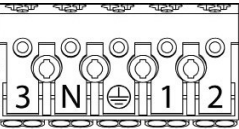
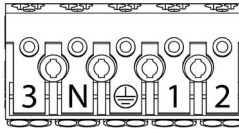
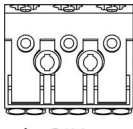
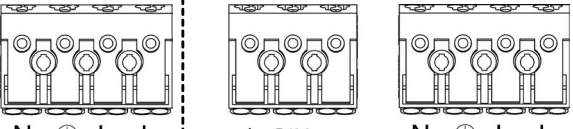
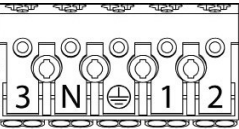
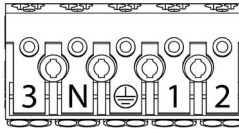
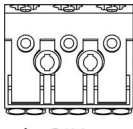
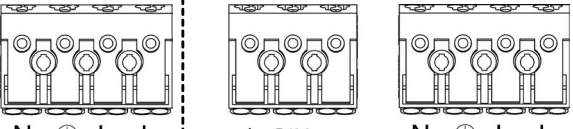
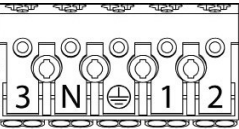
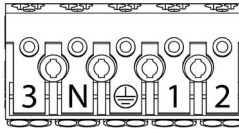
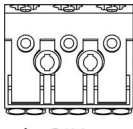
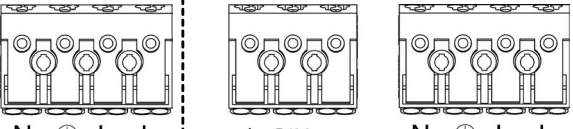
+44(0)1952 292441  
 technical@tamlite.co.uk  
 Document No: V1



# INSTALLATION & OPERATING INSTRUCTIONS



Product Name: AIR

<p><b>1</b></p>  <p>Remove the product from its packaging.</p>	<p><b>2</b></p>  <p>Measure and prepare two suspension points and terminal plate mounting point.</p>				
<p><b>3</b></p>  <p>Install two suspension points and prepare suspension cable assemblies.</p>	<p><b>4</b></p>  <p>Thread one suspension cable through the terminal plate.</p>				
<p><b>5</b></p>  <p>Thread mounting plate cover on to suspension and luminaire feed cables.</p>	<p><b>6</b></p>  <p>Install three clutches in to the luminaire and thread the cables through the centre.</p>				
<p><b>7</b></p> <table style="width: 100%; border-collapse: collapse;"> <tr> <td style="width: 25%; border-right: 1px dashed black; padding: 5px;"> <p><b>A</b></p>  <p>Live Neutral Earth Dali+ Dali-</p> </td> <td style="width: 25%; border-right: 1px dashed black; padding: 5px;"> <p><b>B</b></p>  <p>Live Neutral Earth Dali+ Dali-</p> </td> <td style="width: 25%; border-right: 1px dashed black; padding: 5px;"> <p><b>C</b></p>  <p>Dali+ Dali-</p> </td> <td style="width: 25%; padding: 5px;"> <p><b>D</b></p>  <p>Neutral Earth Switched Live Permanent Live Dali+ Dali- Neutral Earth Switched Live Permanent Live</p> </td> </tr> </table> <p>Standard terminations shown for supply cable (A) and luminaire cable (B).      Emergency terminations shown for supply cable (C) and luminaire cable (D).</p>		<p><b>A</b></p>  <p>Live Neutral Earth Dali+ Dali-</p>	<p><b>B</b></p>  <p>Live Neutral Earth Dali+ Dali-</p>	<p><b>C</b></p>  <p>Dali+ Dali-</p>	<p><b>D</b></p>  <p>Neutral Earth Switched Live Permanent Live Dali+ Dali- Neutral Earth Switched Live Permanent Live</p>
<p><b>A</b></p>  <p>Live Neutral Earth Dali+ Dali-</p>	<p><b>B</b></p>  <p>Live Neutral Earth Dali+ Dali-</p>	<p><b>C</b></p>  <p>Dali+ Dali-</p>	<p><b>D</b></p>  <p>Neutral Earth Switched Live Permanent Live Dali+ Dali- Neutral Earth Switched Live Permanent Live</p>		

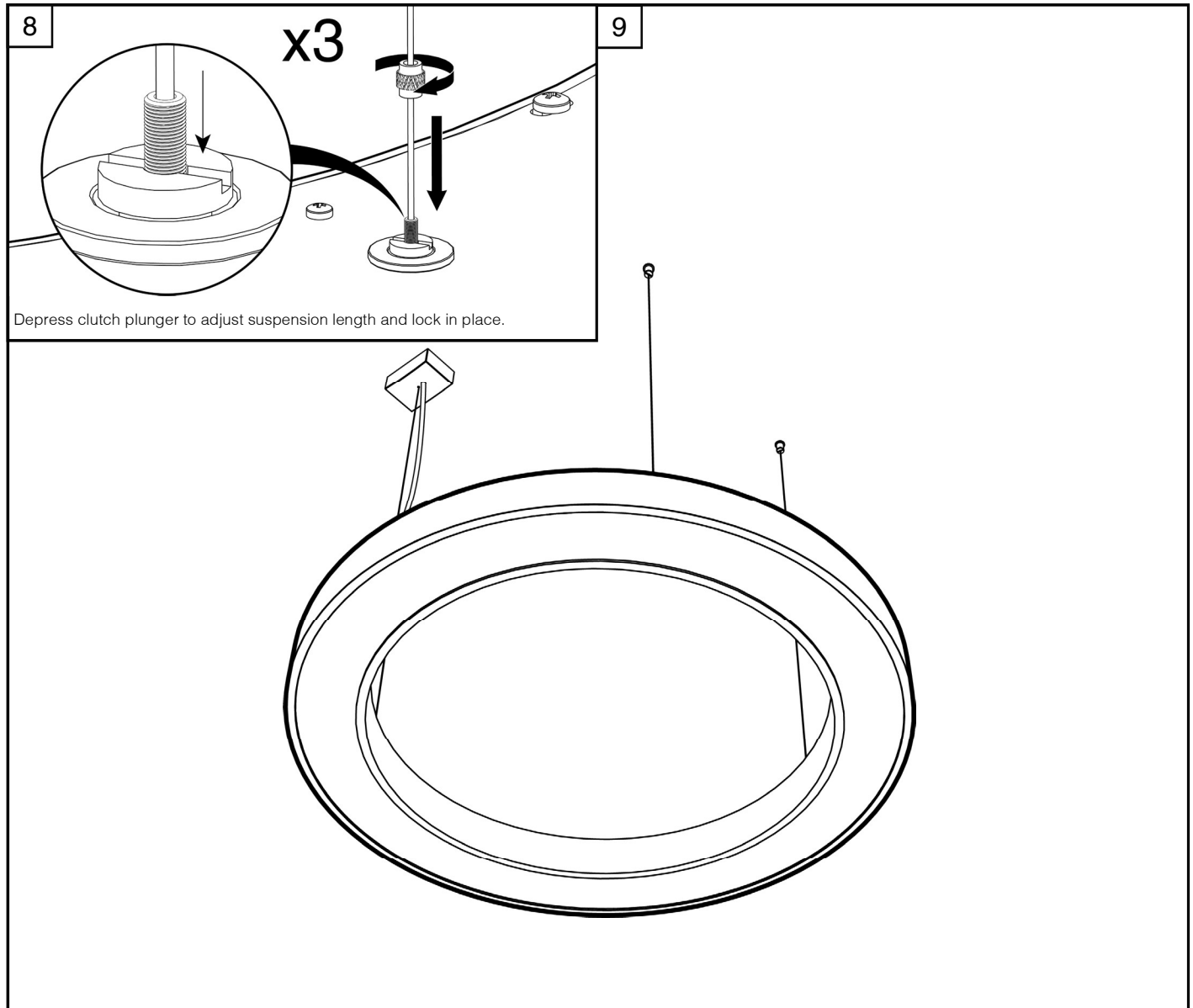
## Page 2 of 3

Tamlite Technical  
 Stafford Park 12,  
 Telford, Shropshire,  
 TF3 3BJ

+44(0)1952 292441  
 technical@tamlite.co.uk  
 Document No: V1

			220-240V 50/60Hz		IP40	IK04	<b>ta</b> 0°C to 25°C 5°C to 25°C for M3 variants
--	--	--	---------------------	--	------	------	--

Product Name: AIR



## Page 3 of 3

Tamlite Technical  
Stafford Park 12,  
Telford, Shropshire,  
TF3 3BJ

+44(0)1952 292441  
technical@tamlite.co.uk  
Document No: V1

